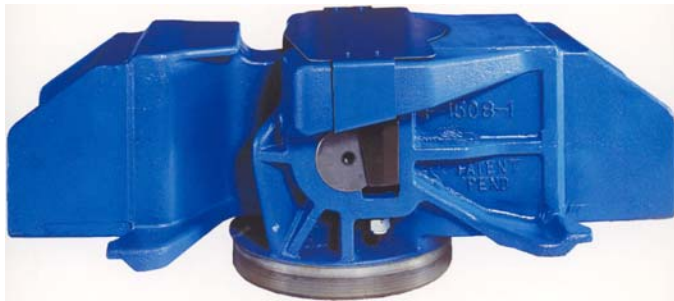
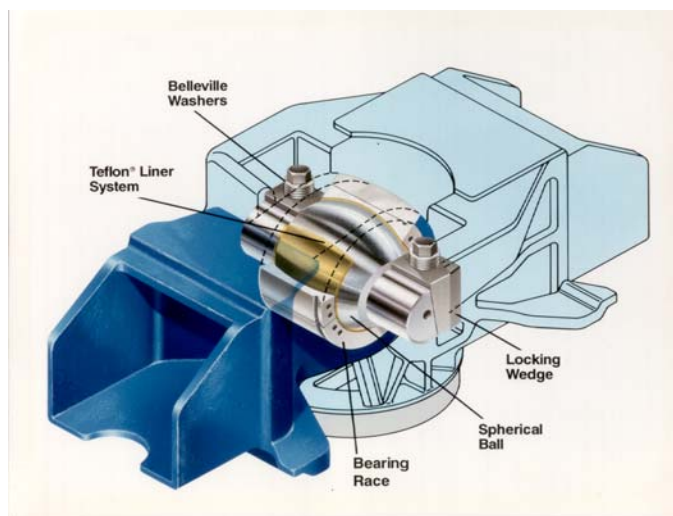


## Product Bulletin

### SAC-1 Spherical Articulated Connector



The Cardwell Westinghouse SAC-1 Spherical Articulated Conector is number 1 in many ways – high performance, low maintenance, and more. Patient development and attention to detail, has yielded a product that has no rival in its field, and few in any other like it. Considering what these connectors have to do, it is a wonder that they can be made to last 100,000 miles, let alone 1 million miles like the SAC-1. Look inside and see why.



A precision machined, mirror finished spherical ball, Teflon™ Lined Bearing Race, and Locking Wedge combine to form a slack-free connection that is highly flexible and ultra durable. The well researched selection and application of materials

enables the SAC-1 to deliver 1 million miles of maintenance free service reliably, without the need for lubrication. It also enables the SAC-1 to deliver the miles without slack, droop, or need for side bearing adjustment, from start to finish.



The 1 million mile maintenance program is easy; simply replace the Ball and Race. On the latest models, this process is made easier and more reliable with a Snap-Ring Ball Retainer, instead of welds. And, when it comes to truck maintenance, the SAC-1 allows enough vertical angular freedom to lift the car clear of the truck without separating the connector.



With our latest improvements, the SAC-1 is well on its way to becoming the worlds first 2 million mile articulated connector. Try them and see. Visit us at our website [www.wabtec.com](http://www.wabtec.com) and make the SAC-1 your Connector of choice. Contact your Wabtec Sales Manager today for more details.