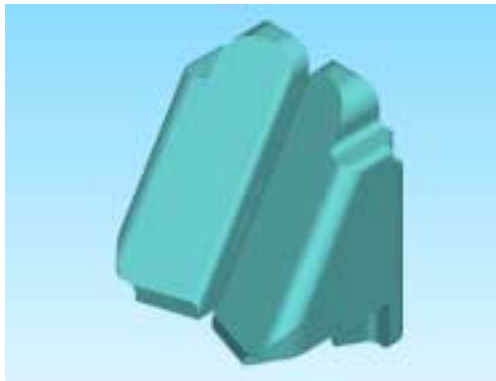


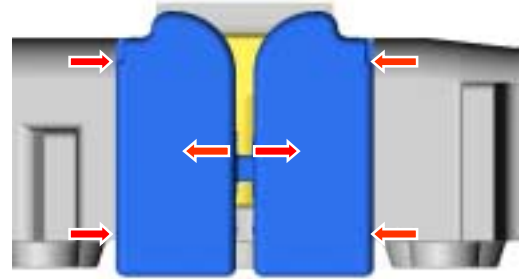
June 2006

Product Bulletin

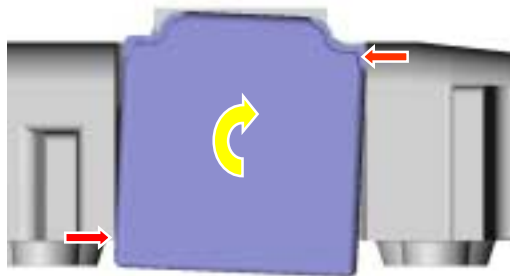
Split Wedge Performance Advantage



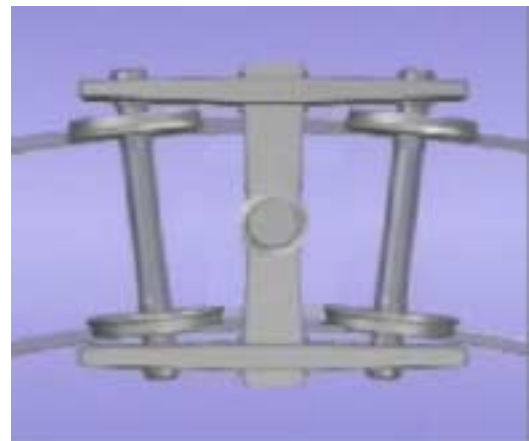
In coal haul wheel life is important. That's why we recommend Barber Split Wedges for better steering.



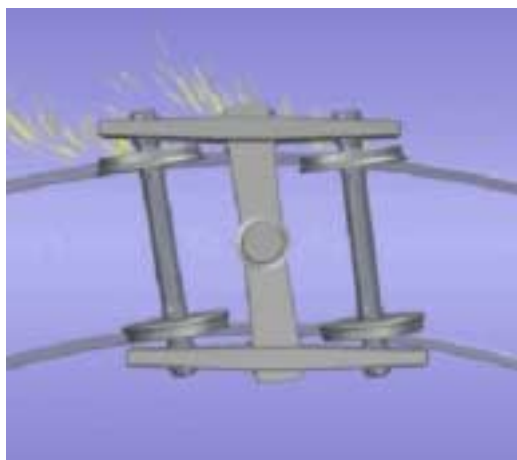
Barber Split Wedges brace and square.



Ordinary wedges gap and rotate.



Square trucks steer better and save wheels.



Wedge rotation allows trucks to warp.



Specify Barber S-2-HD or S-2-E on your next train set, and see the difference our Split Wedge will make.